

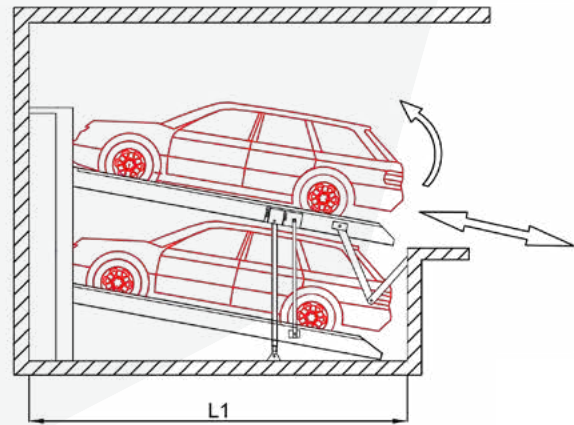
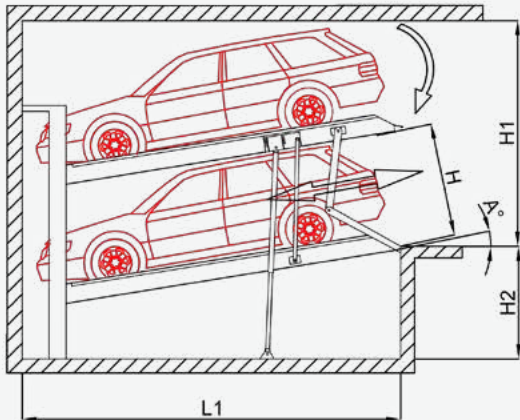
> IDEALOW

WE EXPAND
YOUR PARKING
CAPACITY

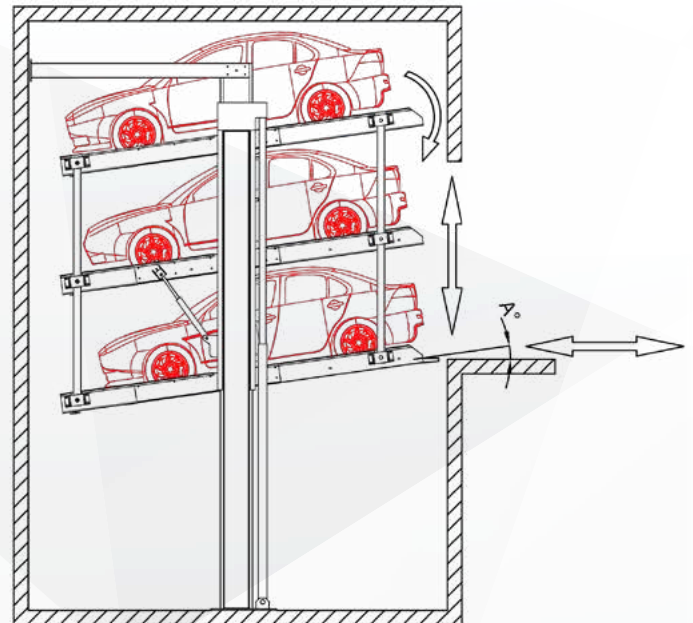
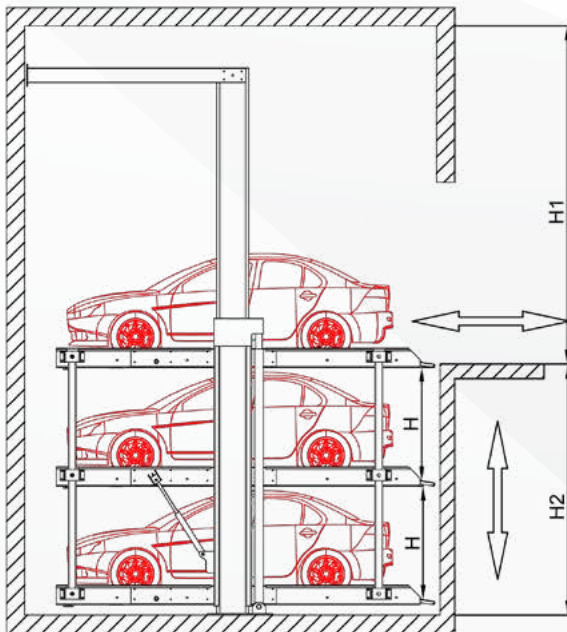


DATASHEET

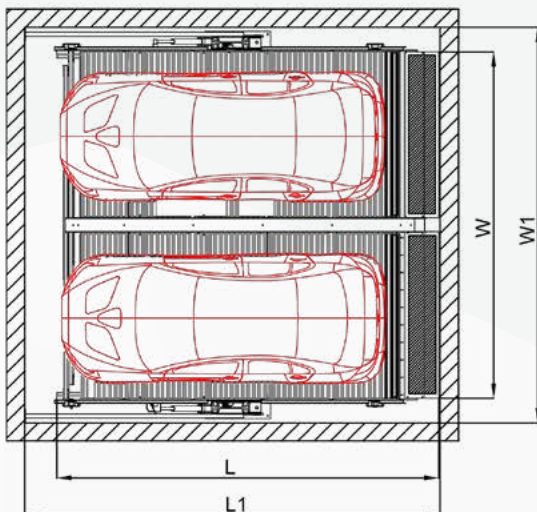
» IDEA H2 LOW



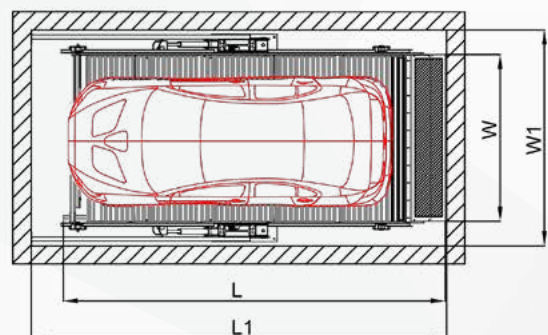
» IDEA H3 LOW



» DUO PLATFORM (W2)



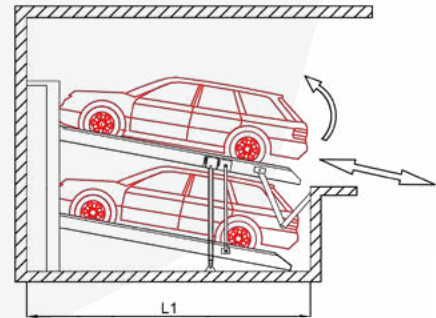
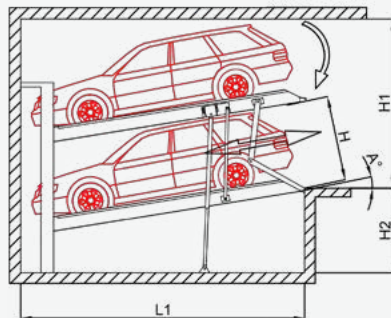
» MONO PLATFORM (W1)



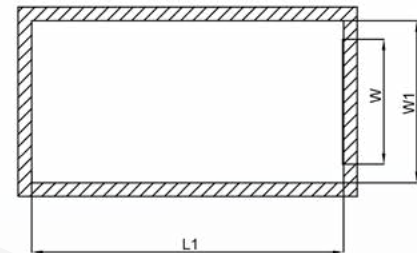
» WIDTH DIMENSIONS AND STATICS

» IDEA H2 LOW

Single Unit 2 car
Double Unit 4 cars

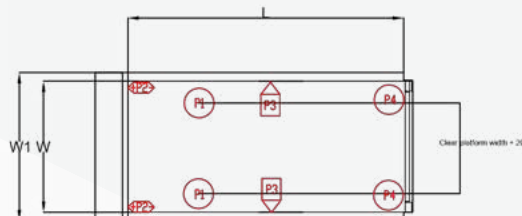
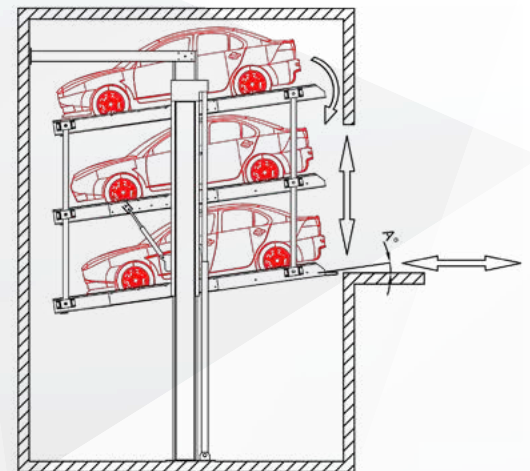
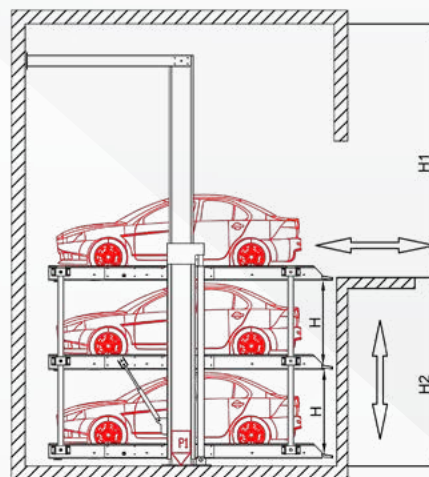


» MONO PLATFORM (W1)



» IDEA H3 LOW

Single Unit 2 cars
Double Unit 3 cars



load per platform max 2000 kg (load per wheel max 500 kg)

Type	H1	H2	H	Car Height
Idealift H2	330-350 cm	180-220 cm	155-175 cm	155-170 cm
Idealift H3	500-570 cm	360-400 cm	155-175 cm	155-170 cm

Explanation	Idealow H2		Idealow H3	
	W1	W2	W1	W2
Platform Length (L)	520 cm	520 cm	520cm	520cm
Platform Width (W)	230-250 cm	460-500 cm	230-250cm	460-500cm
Pit Length (W1)	280-300 cm	510 -550 cm	280-300cm	510-550cm
Pit Width (L1)	530 cm	530 cm	540cm	540cm
Pit Depth (H2)	160-180 cm	165-185 cm	345-365cm	350-370cm
Clearance Each Deck (H)	155-175 cm	155-175 cm	155-175cm	155-175cm
Entrance Level Clearance Height (H1)	320-340 cm	330-350 cm	470-490cm	480-500cm
Platform Angle (A)	9-10	9-10	8	8
Lifting Capacity/ Vehicle	2000 kg	2000 kg	2000kg	2000kg
Motor	4 kw / 3 Phase	5,5 kw / 3 Phase	5,5 kw / 3 Phase	7,5 kw / 3 Phase



IMPORTANT NOTES

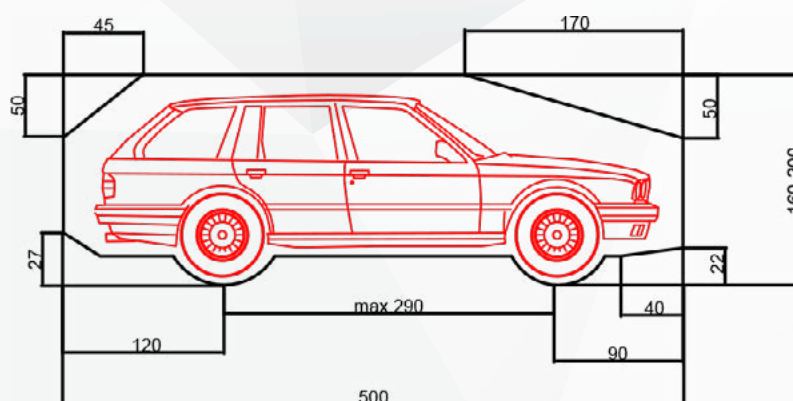
1. Hot dip galvanized platforms
2. In common use min. 3, max. 6 group type electro-hydraulic power pack unit
3. 2000 kg lifting capacity per car.
4. Unique angular movement design for more limited ceiling height indoor usage.
5. Each vehicle can get in and out of the application independently, without the need of moving other cars.
6. Production range for 2,3,4 floor.
7. Production range for 2,3,4 cars in one row or 4,6,8 in two rows.
8. Easy entrance-exit by the packet ergonomic column.

Convenient for office and condominium.
* only permanent usage

Upper platform is in a horizontal position to drive on, middle and lower platforms are in an inclined position to drive on.

The execution of the installation can only be done with a roofing provided from the customer side or within a building.

» CLEARANCE PROFILE



The total car height includes roof rail and antenna.
Car height must not exceed the above max. car dimensions

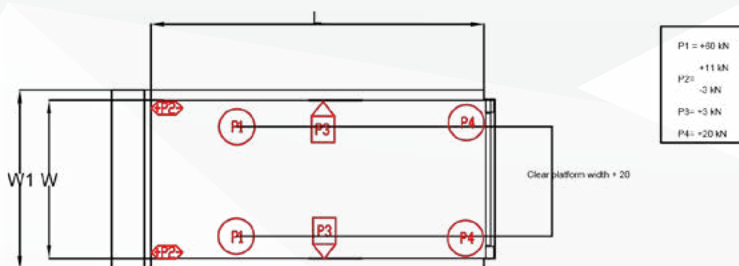


IMPORTANT NOTES

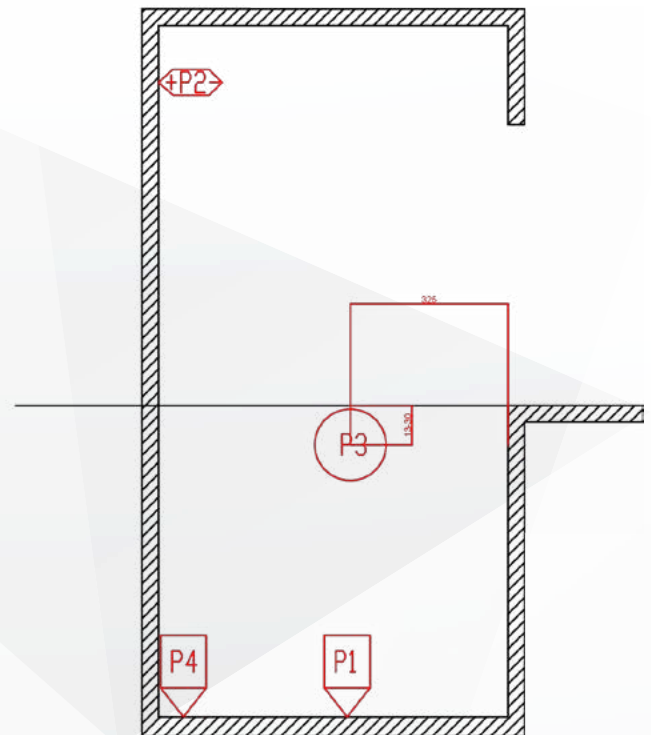
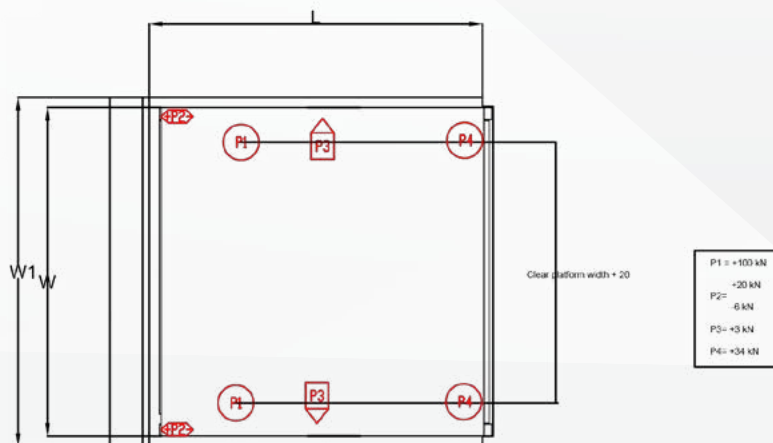
1. 250 cm clear platform width for 190 cm car widths. We suggest a clear platform width of at least 260-270 cm for single unit and 500 cm for double unit.
2. By the reason of increasing of car dimensions and potential developments in future, a pit length of 550 is advisable.
3. The manufacturer has a right to construction or model modifications or alterations. Furthermore, the right to any subsequent part modification or variations and amendments in procedures and standarts due to technical and engineering progresses in the art or due to environmental regulation changes, are also hereby reserved

» STATICS AND CONSTRUCTION REQUIREMENTS

» SINGLE UNIT



» DOUBLE UNIT



* All static loadings include the weight of the car

» Noise protection

Noise protection package from our accessory Insulation of construction of min $R_w=57$ dB Additional sound absorbing measures are to be provided by the costumer for other construction conditions. The best results are reached by separated sole plates from constructioncm for double systems.

» Temperature

The installation is operated between 0-40 C. If the temperature does not allow the system for operating, please contact SANPARK.

» Drainage

We recommend the provisions of a drainage channel at the front of the pit which can either incorporate a pump sump 50*50*20 cm, or a connection into the storm water sewerage system via a petrol /oil interceptor.

» Conformity test

All our system are checked according to CE

» Illumination

» Illumination has to be considered acc. to local requirements by client.

» Railings

If walkways are arranged directly to the side or behind systems, railings have to be provided by the costumer according to the local requirements. Minimum height is 2m

» Parking place width

we suggest a clear platform width of at least 250cm or of at least 500 cm for double systems.

» Maintenance

Annual maintenance is performed at conclusion of a maintenance contract.

» Dimensions

All dimensions are in cm and all dimensions are minimum. The construction tolerances must be taken into consideration.

» Fire safety

The costumer must provide all the fire safety equipments (fire extinguisher, fire alarm systems, etc.).

» Electrical datas

Item	Performance	Quantity	Designation	Position	Frequency
1	By costumer	1 Unit	Electric meter	In the feed cable	
2	By costumer	1 Unit	Fuse or automatic circuit breaker 3*25 A slow blow acc.	In the feed cable	1 Per power pack
3	By costumer	As locally required	Acc. to local power supply regulations 3 Ph+ N+ PE	Feed cable to main switch	1 Per power pack
4	By costumer	Each 10 m	Equipotential bonding safety lead-out connection	Corner pit floor/ rearwall	
5	By costumer	1 Unit	Equipotential bonding safety compliant	From the lead -out connection to the system	1 Per parklift
6	By costumer	1 Unit	Marked main switch lockable to prevent unauthorized switching on	Above operating device	1 Per power pack
7	By costumer	10 m	PVC control cable with marked strands and protective conductor 5*2,5*2	From main switch to hydraulic power pack	1 Per power pack

» Hydraulic power pack

The hydraulic power pack can be placed according to your plan requirements

Dimensions(cm)	1 Single unit or 1 double unit	2-5 Single units or 2-3 double units
Length	100	200
Height	140	140
Depth	30	30

