

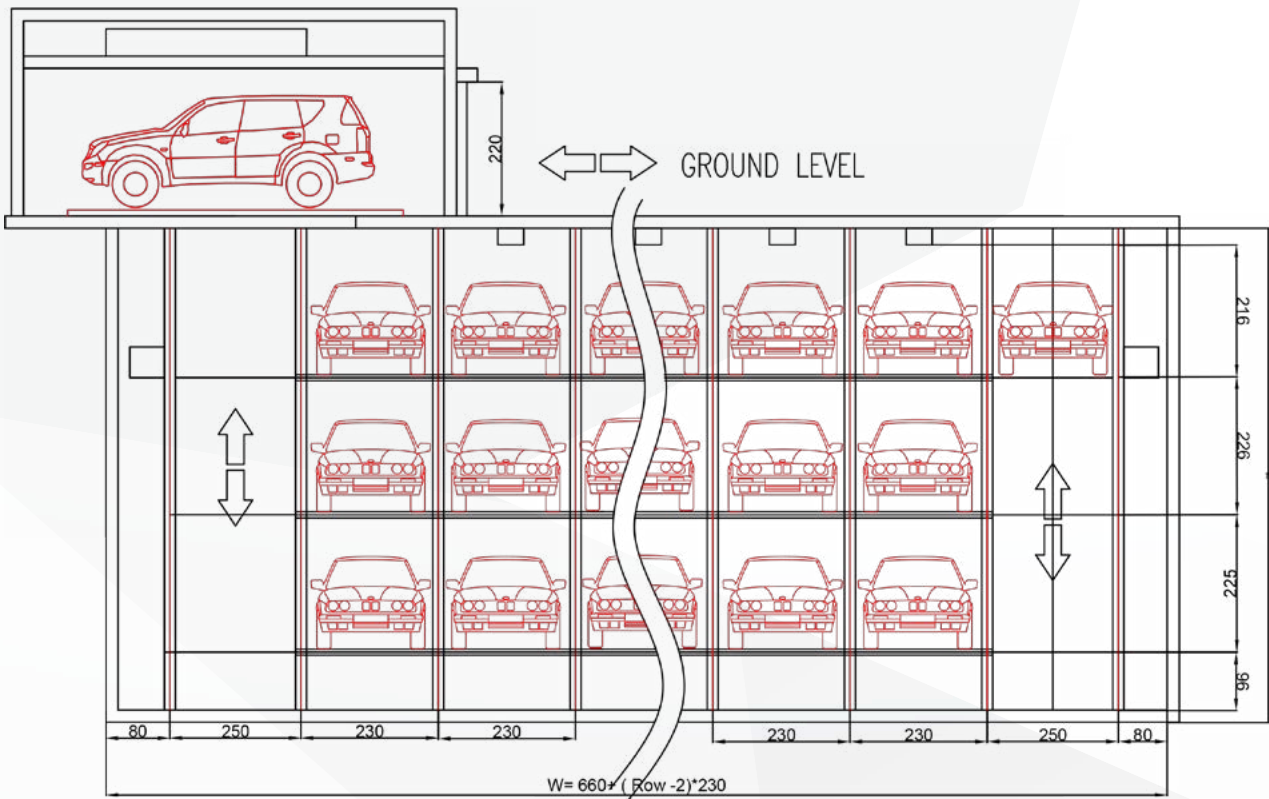
> LAYERPARK

WE EXPAND
YOUR PARKING
CAPACITY



DATASHEET

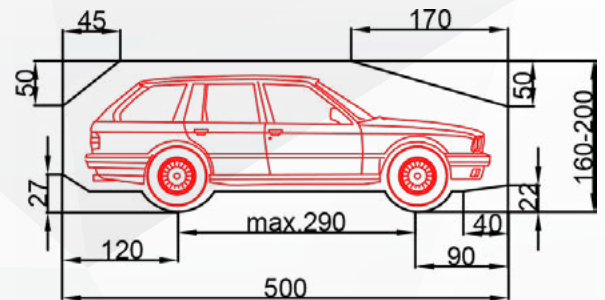
» LAYERPARK INSTALLATION



» TECHNICAL SPECIFICATION

- › Maximum efficiency in narrow and long areas.
- › 2no high speed elevator located endpoints of the system to decrease the entrance and exit times.
- › Up to 5 level with latest technology.
- › Minimum manoeuvring with Turntable.
- › Software which calculates the shortest route to delivery cars.
- › 4 - 12 vehicles on horizontal axis.
- › Automatic system with elevator and horizontal transport unit.
- › Up to 52 vehicle capacity.
- › Custom solutions on request.
- › Use only one entrance from the top in a closed area that does not require a deep pit.

» CLEARANCE CAR DIMENSIONS



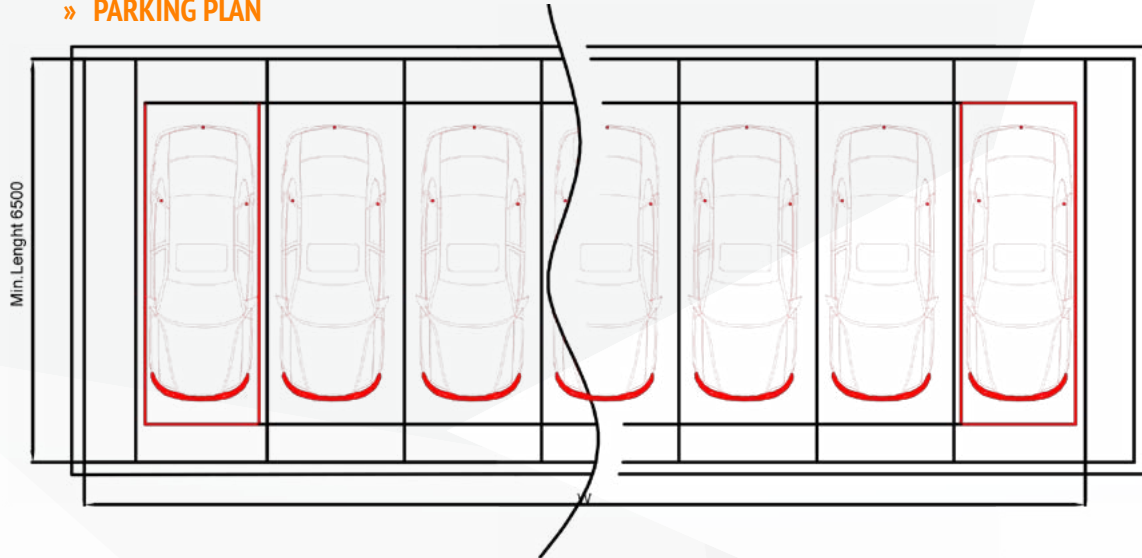
The total car height includes roof rail and antenna.
Car height must not exceed the above max. car dimensions

» TECHNICAL INFORMATIONS

Parking Levels	Row min 4 - max 12	Pit Depth	Pit Width	Car Height	Lift Power	Slider Power
2	6 to 22 cars	440 - 520	1120 - 2960	160 - 200	11-15 KW	3,5 - 5 KW
3	8 to 32 cars	620 - 740	1120 - 2960	160 - 200	11-15 KW	3,5 - 5 KW
4	10 to 42 cars	800 - 960	1120 - 2960	160 - 200	11-15 KW	3,5 - 5 KW
5	12 to 52 cars	980 - 1180	1120 - 2960	160 - 200	11-15 KW	3,5 - 5 KW

» LAYERPARK INSTALLATION

» PARKING PLAN

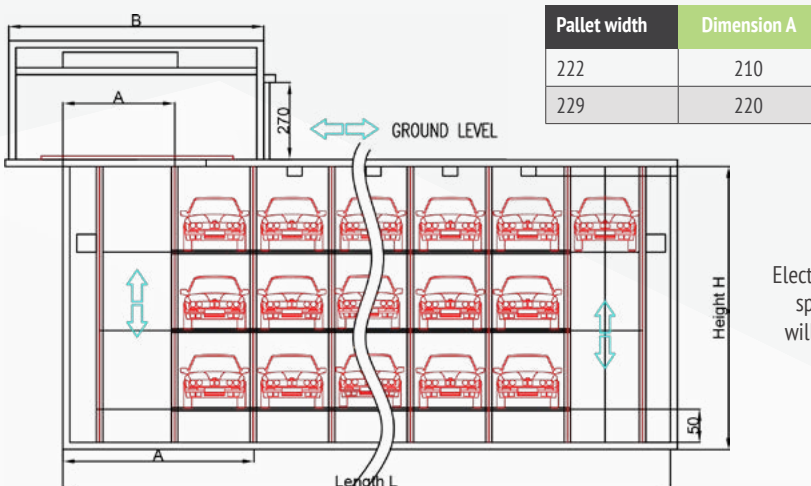
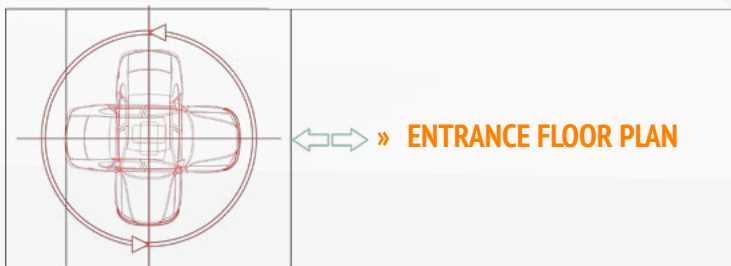


» STANDARD EQUIPMENT

- › Easy operation with barcode ,contactless control or mobile app.
- › Safety sensors: Vehicle weight sensor , limit sensors, motion sensor, vehicle height sensor.

» OPTIONAL EQUIPMENT

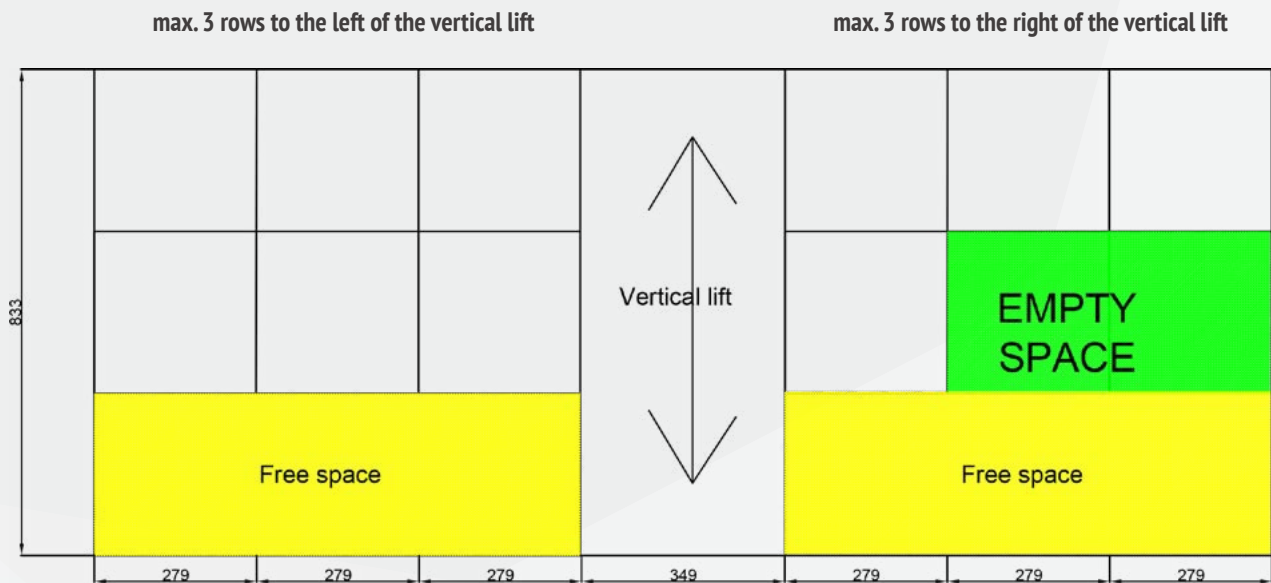
- › Special design for SUV.
- › Easy entrance/exit and manoeuvring at narrow places with Turntable.
- › Outside covering.
- › Fire safety system.
- › Payment system.
- › Drainage system redirects any unrequired liquid safely out of the system.



Parking Levels	Parking spaces per system (with 2 levels)	Pallet width
3	6	984
4	8	1206
5	10	1428
6	12	1650
7	14	1872
8	16	2094
9	18	2316
10	20	2538
11	22	241
12	24	2982

» CUSTOMER RESPONSIBILITY :

Electricity supply panel will be installed in the installation area at the location specified by the manufacturer on the project. Power line to the supply panel will be made with 5x4 mm² TTR cable. (3 PH + N + PE) There must be a 3x16 amp fuse in the electric box there should be a circuit breaker on the supply panel.



» TECHNICAL SPECIFICATION

- › The example blow shows on LayerParking with two parking levels and 14 parking spaces.
- › The parking system must have at least two parking levels but it may be built also more than two levels.
- › It has 2 high speed elevator to arrange for car moving system and system included rotary system inside to give a lead for each car which is wanted by driver .
- › It also has deployed of underground level and more proper for specific area which is narrow and long areas.