

> PARKCENTER



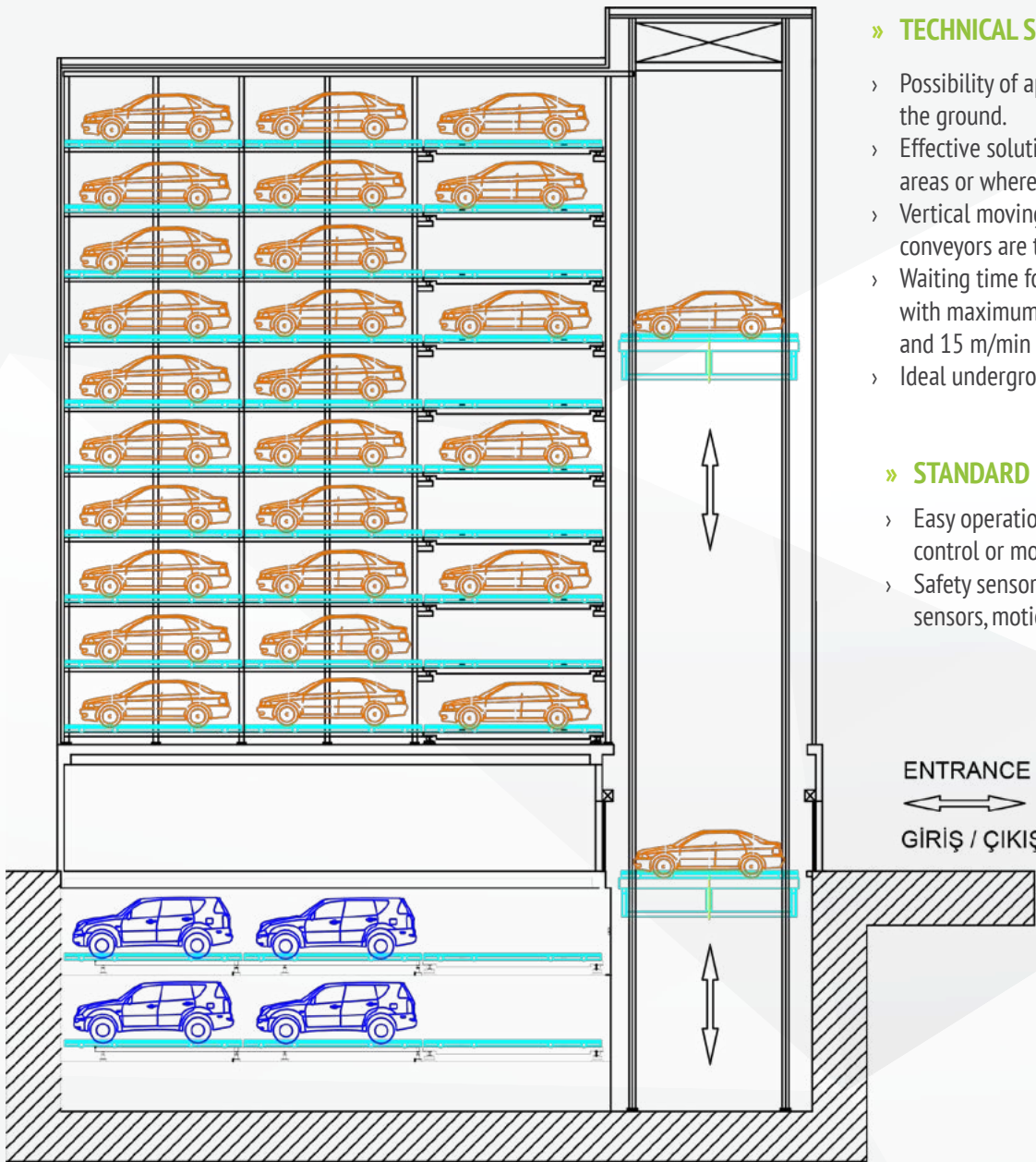
WE EXPAND
YOUR PARKING
CAPACITY



SanPark

DATASHEET

» PARKCENTER INSTALLATION



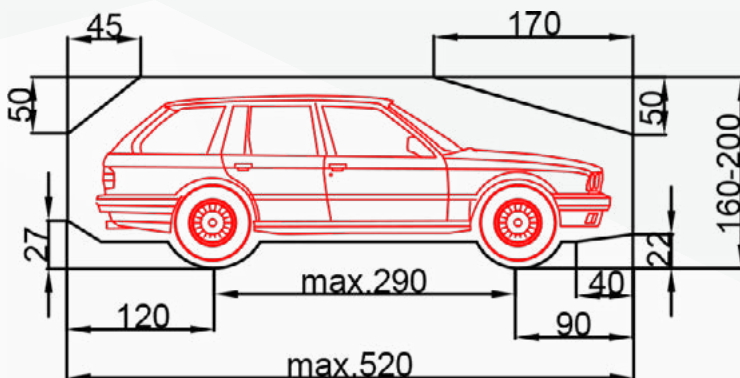
» TECHNICAL SPECIFICATION

- › Possibility of application both underground and on the ground.
- › Effective solution for low height permissioned areas or where deep pit cannot be excavated.
- › Vertical moving elevator and horizontal moving conveyors are the components of the system.
- › Waiting time for delivery of the car is minimized with maximum 100m/min vertical moving speed and 15 m/min horizontal moving speed.
- › Ideal underground car park for city centers.

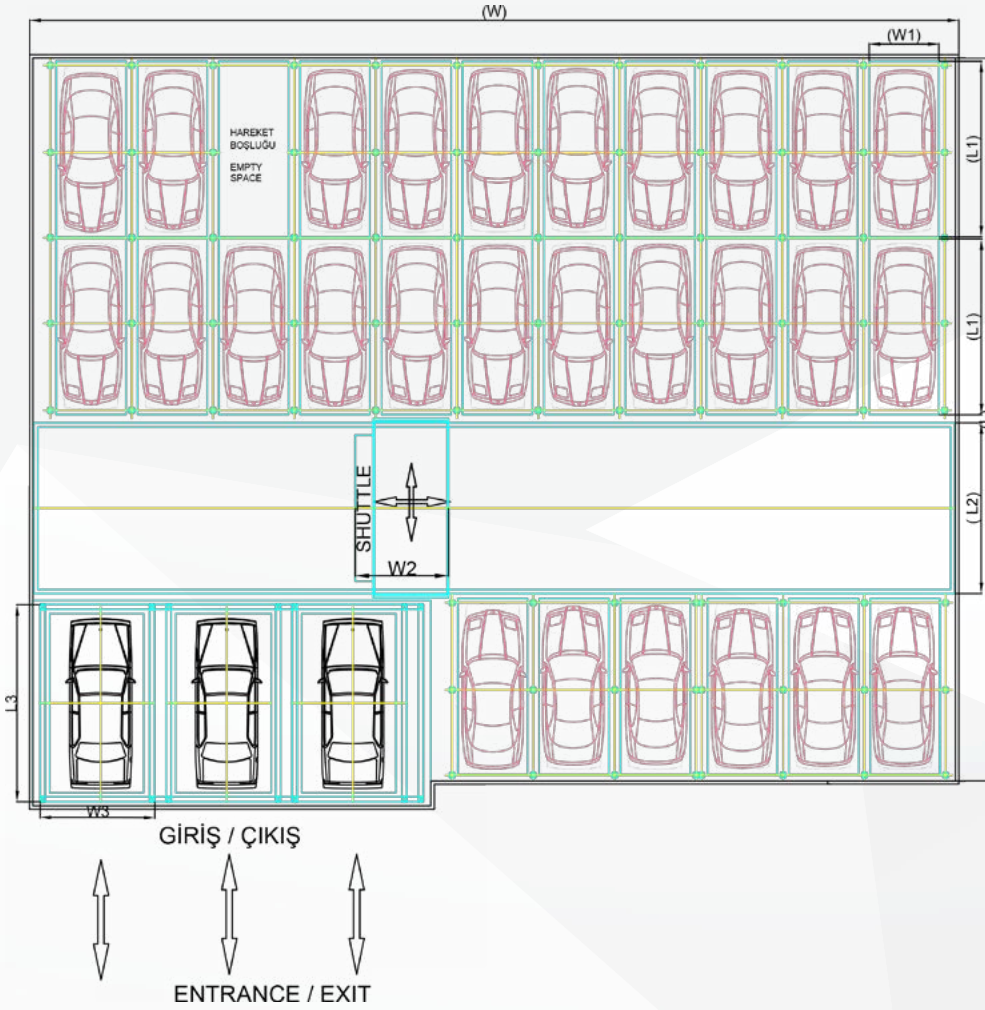
» STANDARD EQUIPMENT

- › Easy operation with barcode, contactless control or mobile app.
- › Safety sensors: Vehicle weight sensor, limit sensors, motion sensor, vehicle height sensor.

» CLEARANCE CAR DIMENSIONS



» PARKCENTER INSTALLATION



» OPTIONAL EQUIPMENT

- › Special design for SUV.
- › Easy entrance/exit and manoeuvring at narrow places with
- › Turntable.
- › Outside covering.
- › Fire safety system.
- › Payment system.
- › Drainage system redirects any unrequired liquid safely out of the system.

» TECHNICAL SPECIFICATION

- › We offered special solutions for all outside / inside projects according to their specifications.
- › In pallet system applications, the system is fully automatic moves vertically and horizontally on a pallet and put it on a rack.
- › In Shuttle system applications, fast and without person on board parking with fully automatic parking of concrete buildings and steel construction.
- › Delivery time of the car is less than 2 minutes. It is the fastest system among competitor.
- › It can be installed inside of the buildings or on the open areas with covered by facade elements to protect the system from weather conditions, environment and theft.
- › The system is equipped with multi sensors and security systems. Ability to recognize own faults
- › It can be able to deliver and placement of more than one car at the same time.
- › 5 times faster than conventional park.

» CUSTOMER RESPONSIBILITY

- › Electricity supply panel will be installed in the installation area at the location specified by the manufacturer on the project.
- › Power line to the supply panel will be made with 5x4 mm² TTR cable. (3 PH + N + PE)
- › There must be a 3x16 amp fuse in the electric box there should be a circuit breaker on the supply panel.

PARKCENTER	PLATFORM	SHUTTLE	LIFT
LENGHT	520-540 cm (L1)	530-550 cm (L2)	550-600 cm (L3)
WIDTH	220-250 cm (W1)	230-280 cm (W1)	280-350 cm (W3)

This machine is manufactured in accordance with European Community of design and safety directives 2006/42 EC and TS EN 14010

» GUIDEWAY

› Clean the slides on which the material is located in the columns. Lubricate the throat parts of the pistons and the synchronization torque bearings with grease. This lubrication and cleaning should be done at monthly checks

SYSTEM	PARKCENTER
SYSTEM TYPE	SYSTEM TYPE FULL AUTOMATIC
LIFTING CAPACITY	2600 kg
VEHICLE MAX. DIMENSIONS	TOTAL LENGTH (L) : 520 cm TOTAL WIDTH (W) : 215 cm SUV TOTAL HEIGHT (H) : 200 cm SEDAN TOTAL HEIGHT (H) : 160 cm
SPEED (MAX.)	VERTICAL SPEED 100 cm/s HORIZONTAL SPEED 30 cm/s
AVERAGE WAITING TIME	120 sec.
MAIN MOTOR POWER	37 KW
REQUIRED ELECTRIC SUPPLY	380 VAC -50 HZ